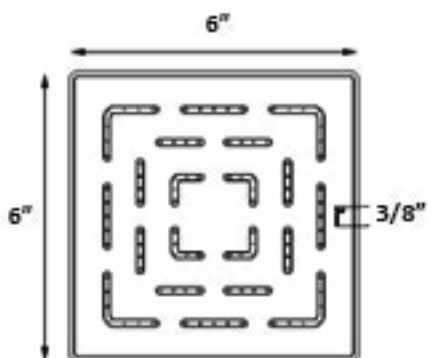
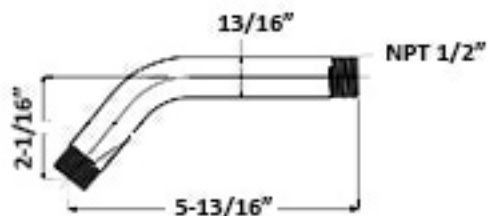


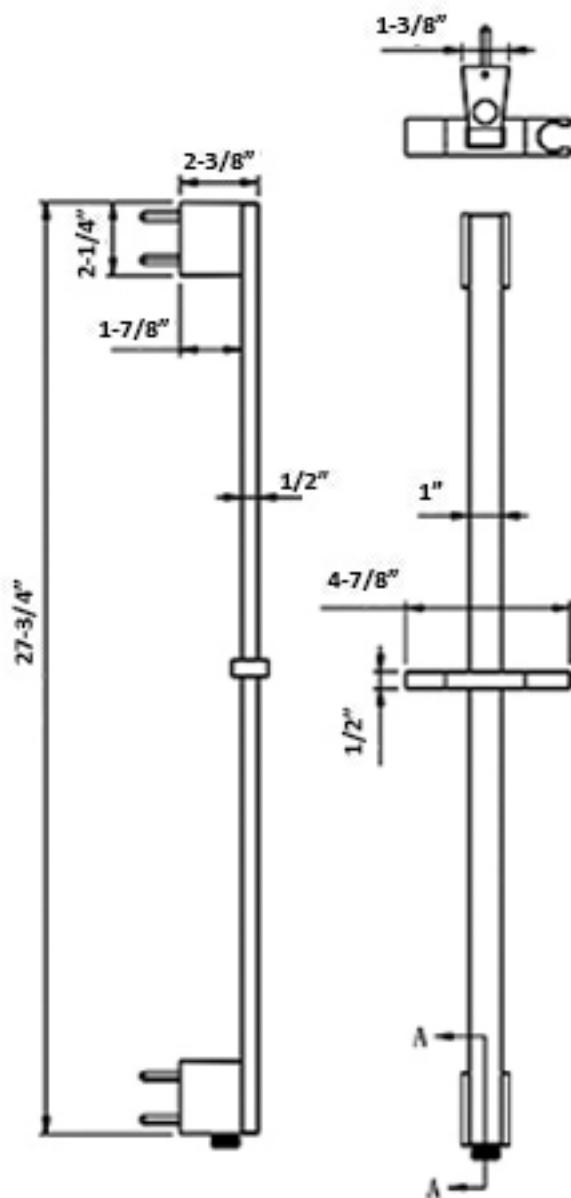
# Dawn.

# Acadia

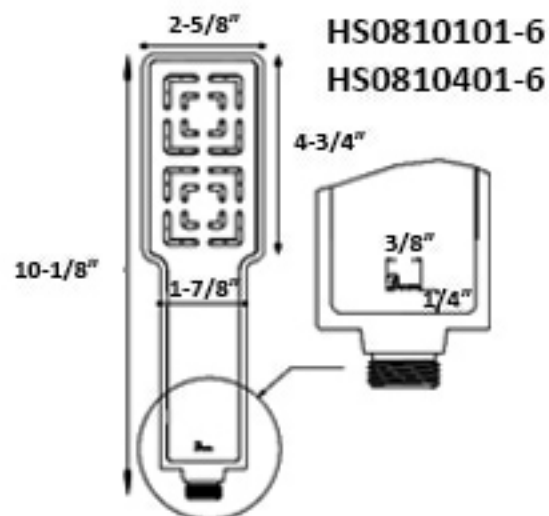
SRT010100 / SRT010400



HSS0920100-6 / HSS0920400-6



R41010100 / R41010400

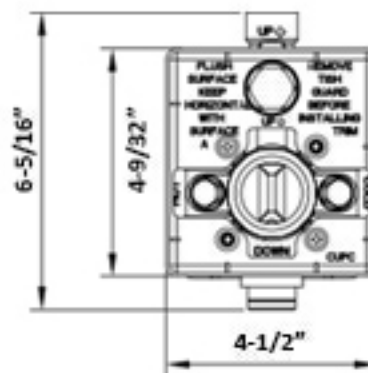
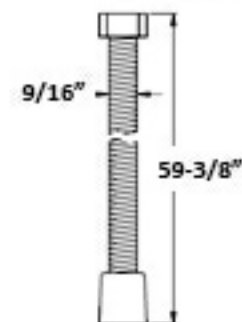


HS0810101-6

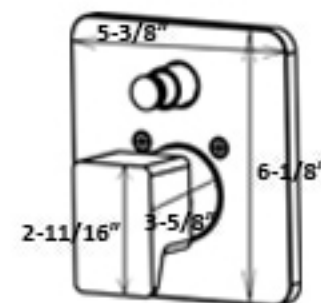
HS0810401-6

HF0400160

HF0400460



D1267300



D0040701C

D0040701BN

WCA050100

WCA050400

