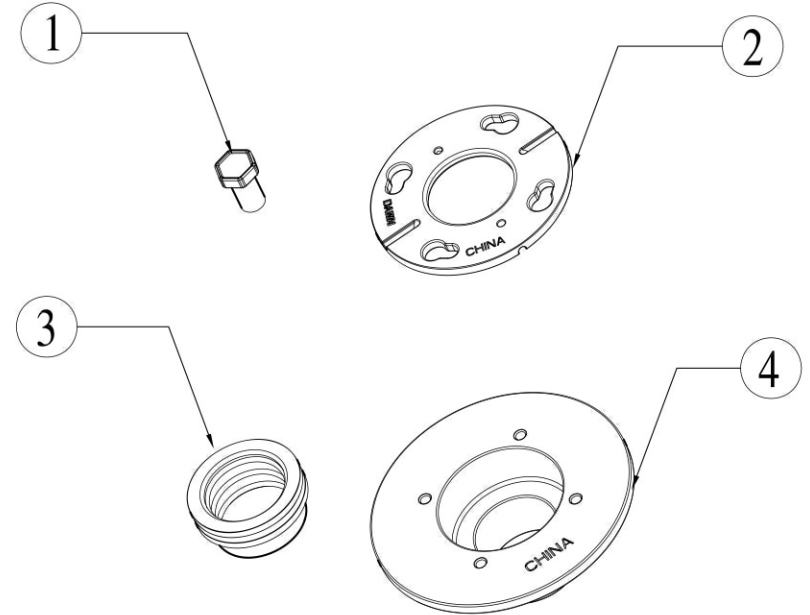


SECTION A-A



| NO | DESCRIPTION | QTY | MATERIAL | SIZE |
|----|-------------------|-----|------------|---------------------------------------|
| 1 | Screw | 4 | Galvanized | M8X15mm |
| 2 | Lower Drain Cover | 1 | Cast Iron | Ø5"X $\frac{1}{4}$ " |
| 3 | Rubber Ring | 1 | Rubber | Ø2 $\frac{3}{4}$ "X $\frac{1}{4}$ " |
| 4 | Lower Drain Base | 1 | Cast Iron | Ø6 $\frac{5}{8}$ "X2 $\frac{9}{16}$ " |

Kaiping Dawn Plumbing Products, Inc

| | | | |
|-------------------|-----------------------|-----------|-------------|
| Type: | | Material: | Cast Iron |
| Model: | SDB060205 | Feature: | |
| Size/Overall: | Ø6 $\frac{5}{8}$ "x3" | | |
| Scale: | | | |
| Design: | Ming | | |
| Drawn: | Yang | | |
| Date: | | Logo: | <i>Dawn</i> |
| Manufacture Date: | | Approved: | |