

Model No: ASU2316

Overall size:

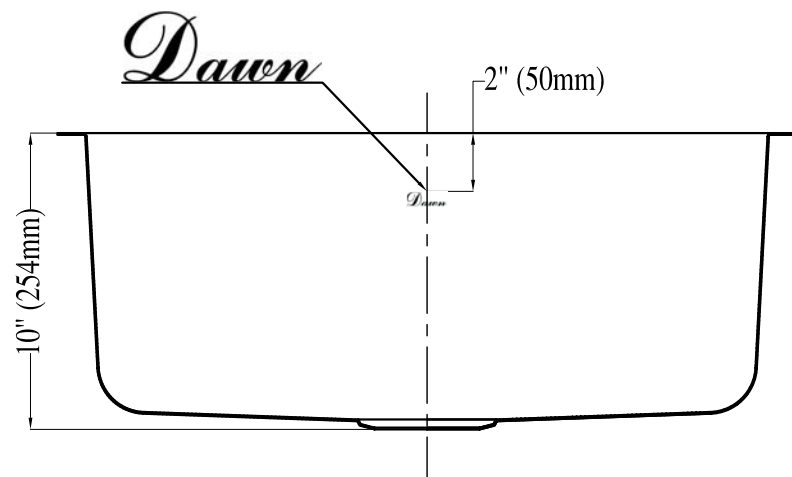
25"X18<sup>1</sup>/<sub>8</sub>"X10"

FEATURES:

Type 304 stainless steel

18Gauge thickness

Satin finish.



SECTION A-A

INSTALLATION

Undermount installation

Supplied With Cutout

template.

Dawn Kitchen & Bath Products, Inc.