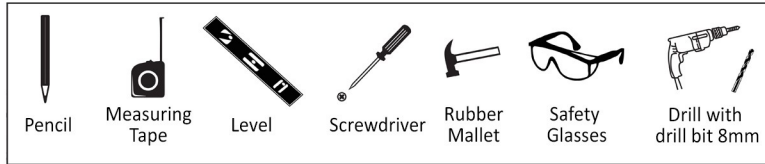


# Dawn®

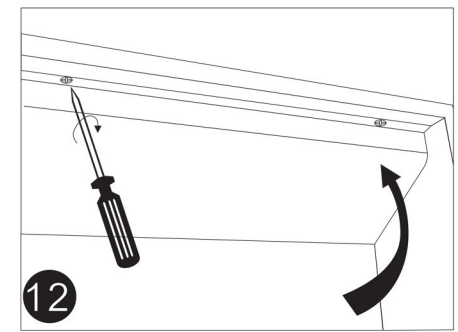
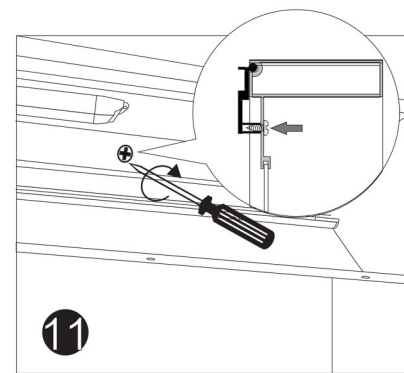
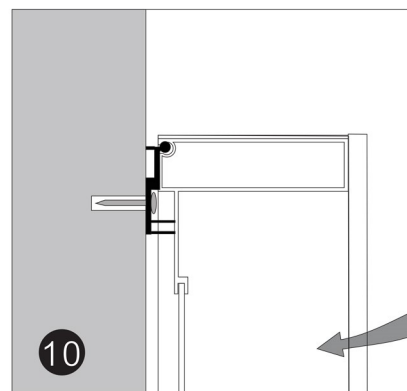
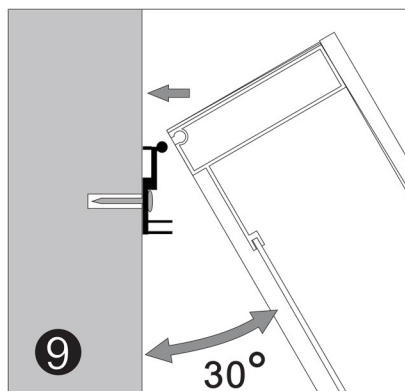
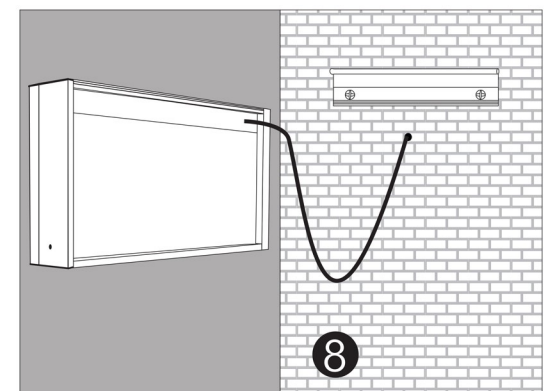
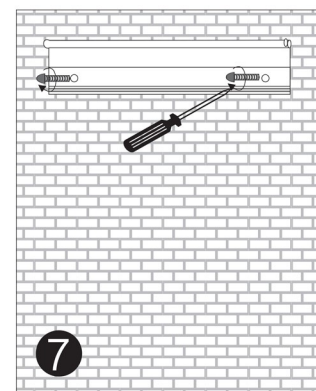
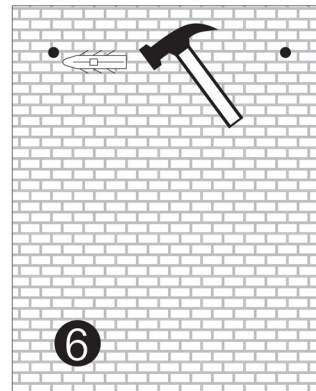
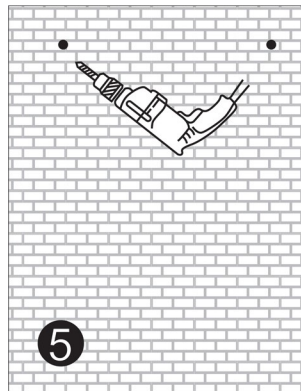
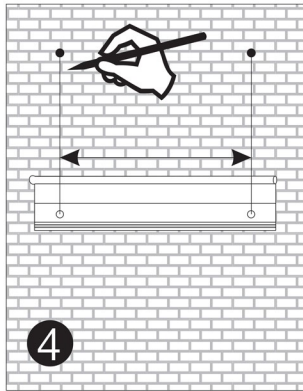
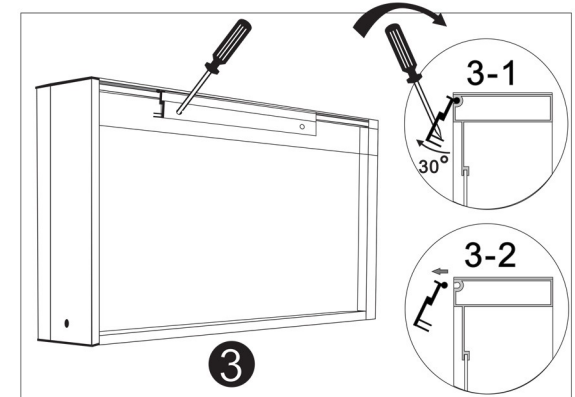
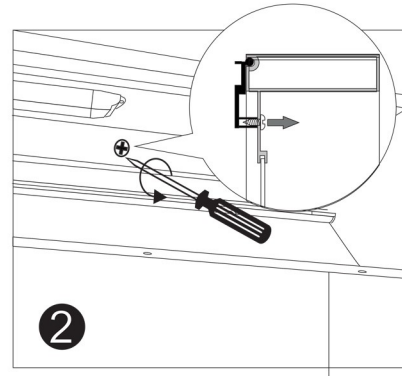
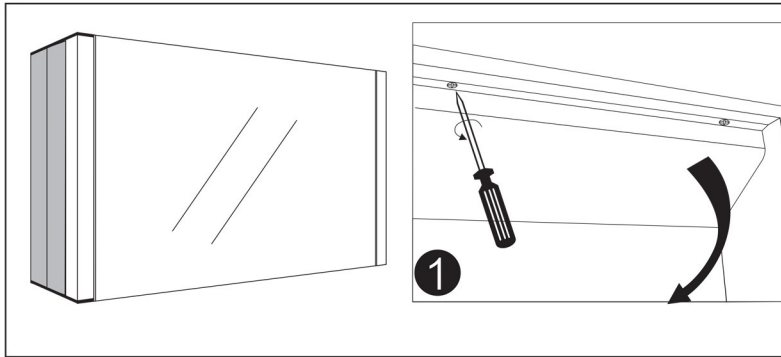
## Kitchen & Bath Products, Inc.

27688 Industrial Blvd., Hayward, CA 94545 • Toll-Free: 877-329-6872 • Fax: 510-723-0099 • dp@dawnusa.net • www.dawnusa.net



### DLEDLV17 Installation Instructions LED Aluminum Mirror/ Medicine Cabinet (IR Sensor) Matte Aluminum Frame

27-9/16" x 5-5/16" x 19-11/16"



CE IP44

IMPORTANT: Recommended for professional installers only. The installer maintains responsibility for installing the product safely and correctly.

© 2018 Dawn Kitchen & Bath Products, Inc. All Rights Reserved.